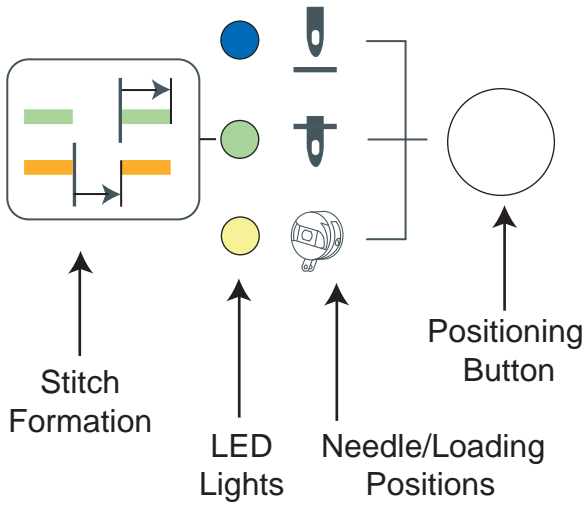


**LED Lights**



● Needle stops in the UP position. A space and stitch will be formed when the foot control is pressed (Blue LED is on).  
○   
○

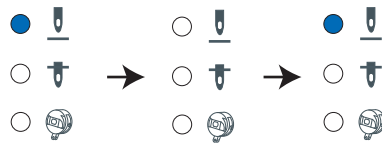
○ Needle stops in the DOWN position and the next stitch will be an actual stitch (Green LED is on).  
●   
○

○ Needle stops in the DOWN position and the next stitch will be a stitch space (Orange LED is on).  
●   
○

○ Loading position (press and hold the positioning button for approximately 2 seconds, Yellow LED is on).  
○   
●

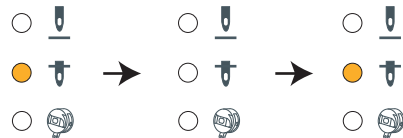
1. Insert or remove the bobbin case
2. Replace latch wire
3. Replace needle

○ Bobbin winder is engaged  
○ engaged  
○ (All LED lights are off)



Bobbin winding completed (Blue LED flashes on and off)

**Warning**



Orange LED light flashes on and off

1. Safety System is activated:  
Side cover is open  
Presser foot is raised  
Latch wire is engaged in the release position  
Foot control is pressed and presser foot is down when power is turned "ON"
2. Needle is in the down position and the presser foot is in the raised position.
3. Motor overload. When this occurs machine has to be turned off then turned back on before using.

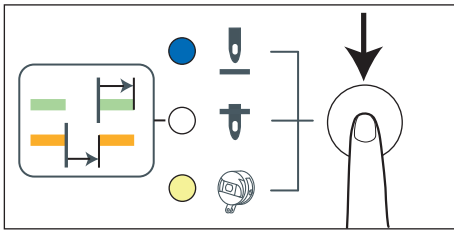
**Important Notice**

1. The Baby Lock Sashiko stitching will not unravel, so it is not necessary to make tacking stitch.
2. Always stitch with fabric under the presser foot when machine is threaded.
3. Do not stitch over previous stitching or stitch down the same row of stitching.
4. Avoid stitching over pins.
5. Before removing bobbin case, changing needle, or replacing latch wire, place needle in up position, remove fabric, and cut thread.

## Loading Position

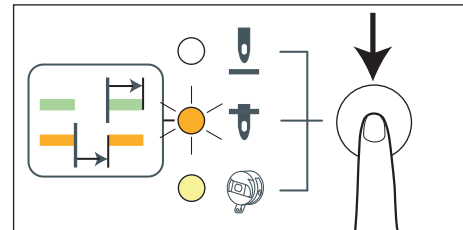
Blue and Yellow LED is lit when:

- Needle in Up Position
- Side cover is closed
- Presser foot is down
- Latch wire not engaged in release position

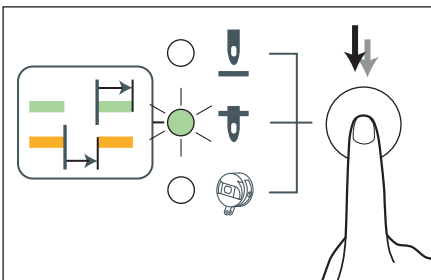


Yellow LED is lit with flashing Orange LED when:

- Presser Foot in UP Position
- Side cover is open
- Latch wire engaged in release position



## Specialty Stitch Mode



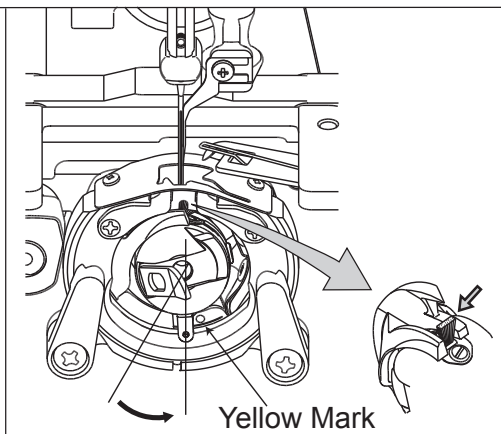
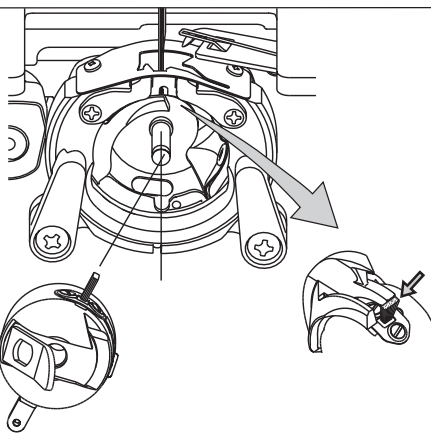
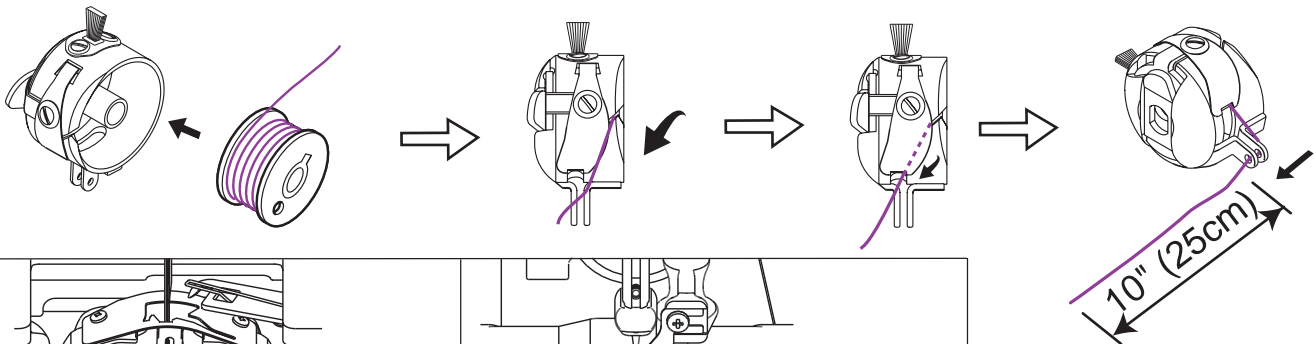
Double click the positioning button. The needle will remain in the down position and the green LED will flash on and off.

Press and release the foot control one time, the needle moves one complete cycle (one stitch and spacing) and then will stop at the next green LED lit position.

The specialty stitch mode is useful for attaching braid and one stitch sewing where a complete cycle (one stitch and spacing) is required.

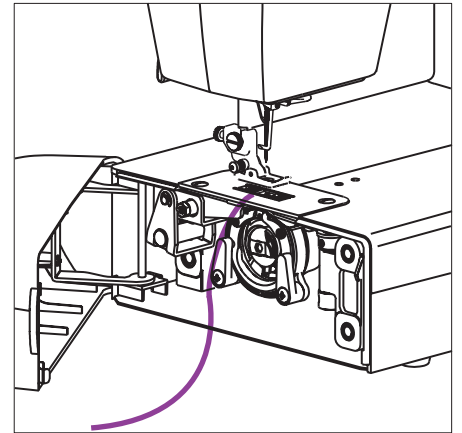
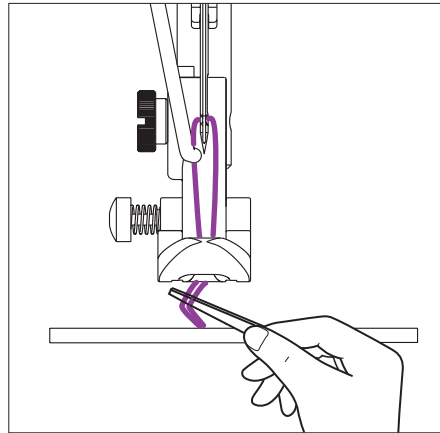
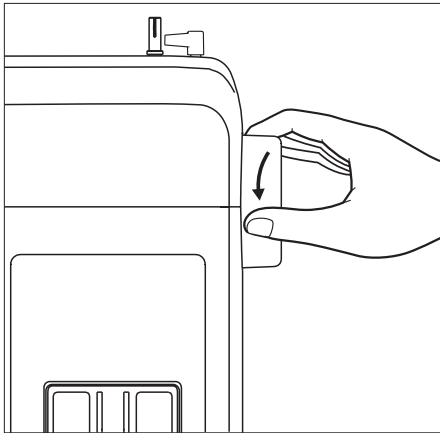
Specialty Stitch Mode to Normal Mode – press the positioning button one time and the needle moves to the up position.

## Inserting the Bobbin



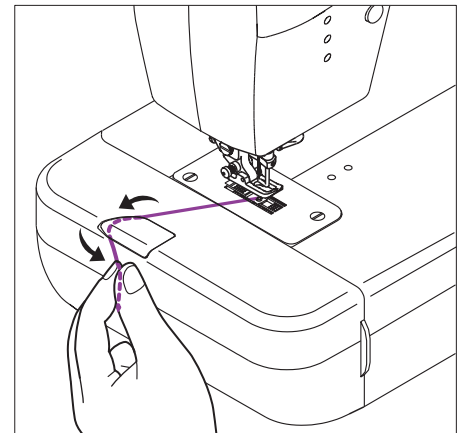
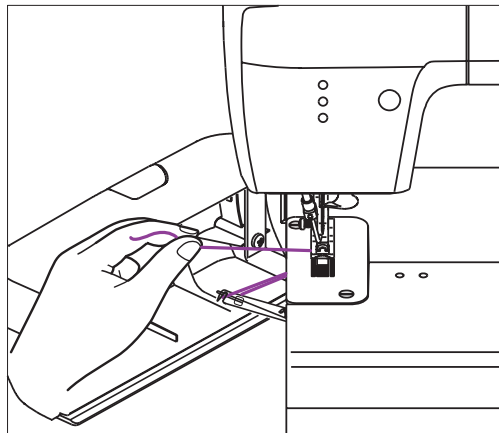
Yellow Mark

## Pulling Up Bobbin Thread



**Note:**

Grasp and hold the thread tautly with left hand, turn handwheel towards you until the lower thread take-up lever catches the thread.



## Removing the Bobbin

**Important Reminder:** Before removing bobbin case, place needle in up position, remove fabric, and cut thread.

